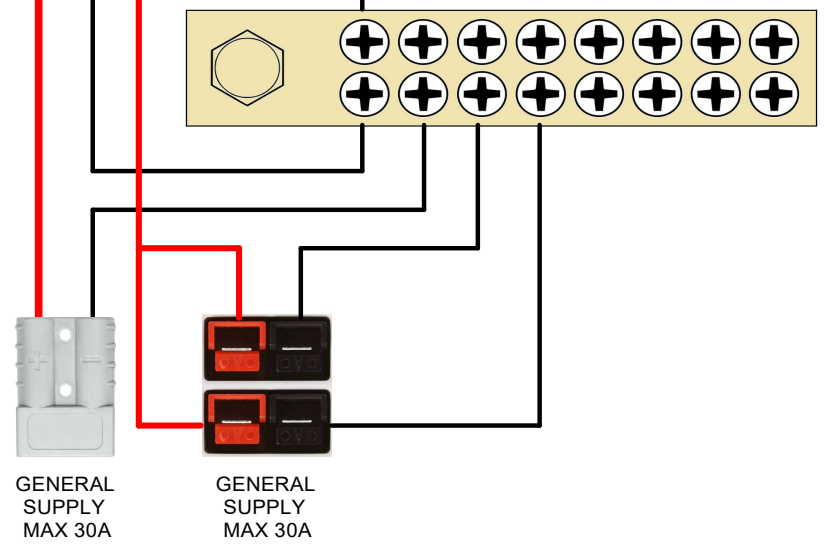


SUPPLY DESCRIPTION	FUSE
1 <u>2M Repeater & AllStar Node</u>	20A
2 <u>APRS & Modem</u>	20A
3 <u>SDR RX and RPi 5V Buck Converter</u>	5A
4 <u>Ubiquity Link 24V Boost Converter</u>	5A
5 <u>SPARE</u>	20A
6 <u>SPARE</u>	5A
7 <u>SPARE</u>	20A
8 <u>Ethernet Switch 9V Regulator module</u>	5A
9 <u>SPARE</u>	20A
10 <u>SPARE</u>	5A

STANDARDISATION NOTES

- Positive wires may be any obvious colour other than BLACK or GREEN. RED is preferred.
- Negative wires are to be BLACK or sleeved with BLACK heat shrink or similar.
- Fuses are Standard Blade Fuses (ATC/ATO)
 - 20A for high loads such as the repeater and APRS.
 - 5A for lower loads such as the Ethernet Switch and similar.
 - Warning: Many circuits are sub-fused.



Title VK6RAV DC DISTRIBUTION PANEL		
Author PLM		
File AMHAM ... VK6RAV_PWR_DIST - 20240503.dsn	Document	
Revision 1.0	Date 03/05/2024	Sheets 1 of 1